

VIDEOWALL MOUNT PD02VW MFS 46 55 L/P

ORDER CODES: Portrait 100013099 Landscape 100013100

High-end videowall mount with manual front service for installation of NEC MultiSync® 46" and 55" XUN/V, XS and P Series in a videowall.

This videowall mount is designed for easy maintenance and servicing in hard-to-reach installations. Included security hardware prevents the mount from extending out of the wall. Connector Kits are obtainable for the specific display models. Available for landscape and portrait orientation.

Landscape PD02VW MFS 46 55 L



Portrait PD02VW MFS 46 55 P



Delivering Genuine Benefits

Supports an unlimited number of displays without configuration limitation

Connector Kits eliminate guesswork and on-site installation calculations

Tool-less micro adjustments at 8 point seamlessly align the displays

Displays click securely into place against the wall with spring-loaded mechanism

Displays and mounts sit flush against the wall for a clean side appearance

Pull-out/Prop-open mechanism provides quick service access

Integrated cable management tie-backs make display-to-display cabling simple

Included security hardware prevents the mount from extending out from the wall

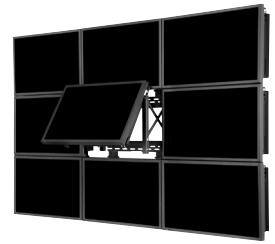
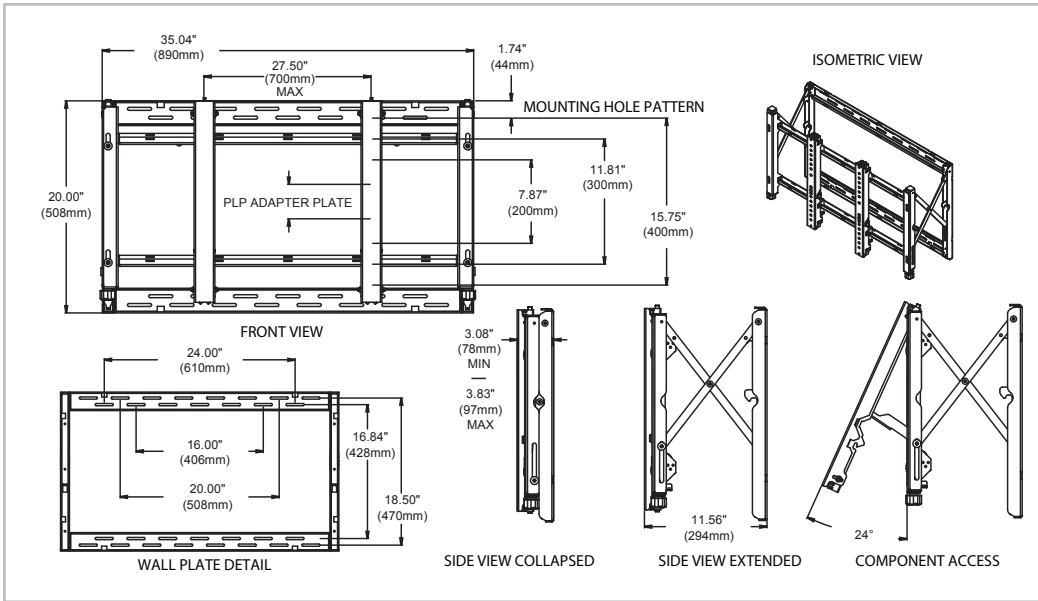
Optional Cable Release Kit for larger videowall installations

Ready-to-install right out of the box

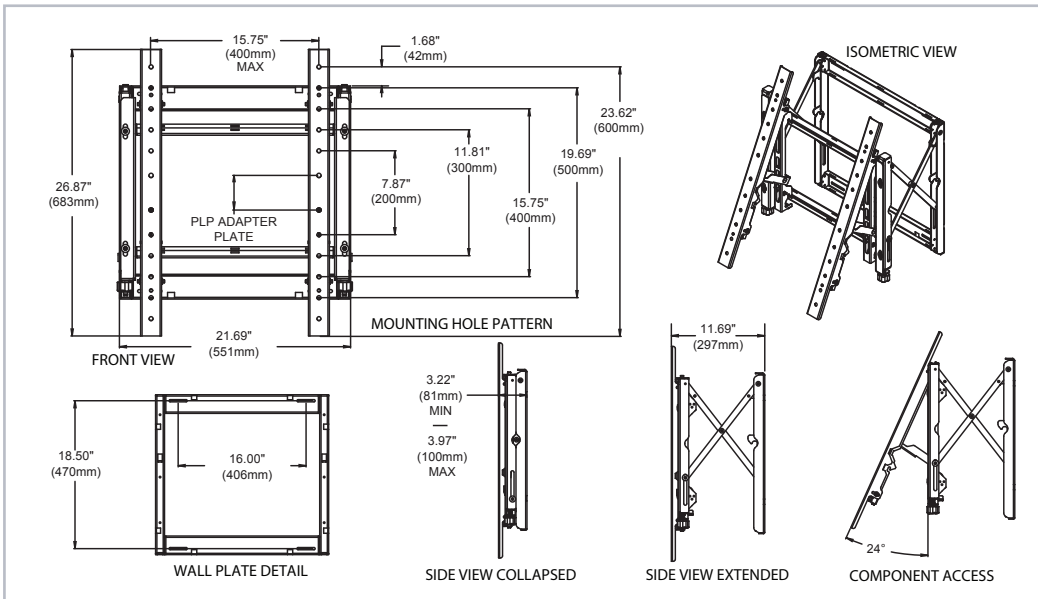
TOOL-LESS MICRO ADJUSTMENT



LANDSCAPE PD02VW MFS 46 55 L



PORTRAIT PD02VW MFS 46 55 P



CONNECTOR KITS FOR NEC PUBLIC DISPLAYS

ORIENTATION	CONNECTOR KITS	SUPPORTED NEC DISPLAYS
Portrait	CK02XHP MFS 46 P	X462HB, P462
	CK02XUN MFS 46 P	X461UNV, X462UN, X463UN
	CK02XS MFS 46 P	X461S, X462S
	CK02XUN MFS 55 P	X551UN
	CK02P MFS 55 P	P552
Landscape	CK02XS MFS 55 P	X551S, X552S
	CK02XHP MFS 46 L	X462HB, P462
	CK02XUN MFS 46 L	X461UNV, X462UN, X463UN
	CK02XS MFS 46 L	X461S, X462S
	CK02XUN MFS 55 L	X551UN
	CK02P MFS 55 L	P552
	CK02XS MFS 55 L	X551S, X552S

NUMBER OF CONNECTOR KITS REQUIRED

		NUMBER OF HORIZONTAL DISPLAYS									
		Num.	1	2	3	4	5	6	7	8	9
NUMBER OF VERTICAL DISPLAYS	1	0	1	2	3	4	5	6	7	8	9
	2	1	2	4	6	8	10	12	14	16	18
	3	2	4	6	9	12	15	18	21	24	27
	4	3	6	9	12	16	20	24	28	32	36
	5	4	8	12	16	20	25	30	35	40	45
	6	5	10	15	20	25	30	36	42	48	54
	7	6	12	18	24	30	36	42	49	56	63
	8	7	14	21	28	35	42	49	56	64	72
	9	8	16	24	32	40	48	56	64	72	81
	10	9	18	27	36	45	54	63	72	81	90



VIDEOWALL MOUNT PD02VW MFS 46 55 L/P

ORDER CODES: Portrait 100013099 Landscape 100013100

TECHNICAL SPECIFICATIONS

ORDER CODES			
PD02VW MFS 46 55 P (Portrait)	100013099	PD02VW MFS 46 55 L (Landscape)	100013100
CONNECTOR KITS PORTRAIT		CONNECTOR KITS LANDSCAPE	
CK02XHBP MFS 46 P	100013095	CK02XHBP MFS 46 L	100013096
CK02XUNP MFS 46 P	100013105	CK02XUN MFS 46 L	100013106
CK02XS MFS 46 P	100013107	CK02XS MFS 46 L	100013108
CK02XUN MFS 55 P	100013103	CK02XUN MFS 55 L	100013104
CK02P MFS 55 P	100013097	CK02P MFS 55 L	100013098
CK02XS MFS 55 P	100013110	CK02XS MFS 55 L	100013109
CABLE RELEASE KIT		RK02 MFS	100013111
MIN. DEPTH			
Portrait	81 - 100 mm		
Landscape	78 – 97 mm		
ADJUSTMENTS			
Max. Height adjustment	25 mm		
Max. Extension Portrait	297 mm		
Max. Extension Landscape	294 mm		
MOUNTING PATTERN COMPATIBILITY			
Portrait	200 x 200 mm to 600 x 400 mm		
Landscape	200 x 200 mm to 700 x 400mm		
CONFIGURATION			
Number of mounts	Unlimited		
Orientation	Landscape & Portrait		
Max. Weight capacity	Portrait 57kg * Landscape 56.8 kg*		
MECHANICAL			
Package Dimensions (W x H x D)	956 x 609 x 127 mm		
Weight of mount	Portrait 15 kg Landscape 15,9 kg		
OTHER SPECIFICATIONS			
Certificates / Standard	UL Listed, RoHs		
Warranty	3 years		
Supported NEC Public Displays	MultiSync® 46" and 55" XUN/V, XS and P Series		
Videowall options	Over Frame Kit (KT-46UN-OF, KT-46UN-OF2, KT-55UN-OF); Remote Control Kit (KT-RC); Calibration Kit (KT-LFD-CC)		
For additional pictures and Solutions overview, Visit www.nec-display-solutions.com for details.	* Please consider the overall weight of the complete construction. It is the installers responsibility to make certain the structure to which the mount is being attached is capable of supporting all equipment. For this NEC does not take any responsibility. Please consult your local vendor if advise is needed.		

This document is © Copyright 2012 NEC Display Solutions Europe GmbH. All rights are reserved in favour of their respective owners. The document, or parts thereof, should not be copied, adapted, redistributed, or otherwise used without the prior written permission of NEC Display Solutions Europe GmbH. This document is provided "as is" without warranty of any kind whatsoever, either express or implied. Errors and omissions are excepted.

NEC Display Solutions Europe GmbH may make changes, revisions or improvements in, or discontinue the supply of any product described or referenced in this document at any time without notice. 06. February 2013

NEC Information:

Call: +49 (0)89/99 699-0

Email: infomail@nec-displays.com

www.nec-display-solutions.com

Empowered by Innovation

