

Installation Notes for Wall-Mount Brackets

June 2001

This installation note provides instructions for attaching wall-mount brackets (Cisco part number *wallmount-1ru=*) to the Catalyst 2900 LRE XL switches, the Catalyst 3500 XL switches, and the Cisco LRE 48 POTS Splitter and instructions for wall-mounting these products.

The wall-mount brackets attach to the following Cisco products:

- Catalyst 2912 LRE XL Switch
- Catalyst 2924 LRE XL Switch
- Catalyst 3508 XL Switch
- Catalyst 3524 XL Switch
- Catalyst 3524-PWR XL Switch
- Catalyst 3548 XL Switch
- Cisco LRE 48 POTS Splitter

Contents

This document has the following sections:

- [“Conventions” section on page 2](#)
- [“Installation” section on page 3](#)
- [“Related Publications” section on page 8](#)
- [“Translated Warnings” section on page 8](#)
- [“Obtaining Technical Assistance” section on page 11](#)

Conventions

This document uses these conventions and symbols for notes and warnings:



Note

Means *reader take note*. Notes contain helpful suggestions or references to materials not contained in this manual



Warning

This warning symbol means danger. You are in a situation that could cause bodily injury. Before you work on any equipment, be aware of the hazards involved with electrical circuitry and be familiar with standard practices for preventing accidents.

Waarschuwing

Dit waarschuwingssymbool betekent gevaar. U verkeert in een situatie die lichamelijk letsel kan veroorzaken. Voordat u aan enige apparatuur gaat werken, dient u zich bewust te zijn van de bij elektrische schakelingen betrokken risico's en dient u op de hoogte te zijn van standaard maatregelen om ongelukken te voorkomen.

Varoitus

Tämä varoitusmerkki merkitsee vaaraa. Olet tilanteessa, joka voi johtaa ruumiinvammaan. Ennen kuin työskentelet minkään laitteiston parissa, ota selvää sähkökytkentöihin liittyvistä vaaroista ja tavanomaisista onnettomuuksien ehkäisykeinoista.

Attention

Ce symbole d'avertissement indique un danger. Vous vous trouvez dans une situation pouvant entraîner des blessures. Avant d'accéder à cet équipement, soyez conscient des dangers posés par les circuits électriques et familiarisez-vous avec les procédures courantes de prévention des accidents.

Warnung

Dieses Warnsymbol bedeutet Gefahr. Sie befinden sich in einer Situation, die zu einer Körperverletzung führen könnte. Bevor Sie mit der Arbeit an irgendeinem Gerät beginnen, seien Sie sich der mit elektrischen Stromkreisen verbundenen Gefahren und der Standardpraktiken zur Vermeidung von Unfällen bewußt.

Avvertenza

Questo simbolo di avvertenza indica un pericolo. Si è in una situazione che può causare infortuni. Prima di lavorare su qualsiasi apparecchiatura, occorre conoscere i pericoli relativi ai circuiti elettrici ed essere al corrente delle pratiche standard per la prevenzione di incidenti.

Advarsel

Dette varselsymbolet betyr fare. Du befinner deg i en situasjon som kan føre til personskade. Før du utfører arbeid på utstyr, må du være oppmerksom på de faremomentene som elektriske kretser innebærer, samt gjøre deg kjent med vanlig praksis når det gjelder å unngå ulykker.

Aviso

Este símbolo de aviso indica perigo. Encontra-se numa situação que lhe poderá causar danos físicos. Antes de começar a trabalhar com qualquer equipamento, familiarize-se com os perigos relacionados com circuitos eléctricos, e com quaisquer práticas comuns que possam prevenir possíveis acidentes.

- ¡Advertencia! Este símbolo de aviso significa peligro. Existe riesgo para su integridad física. Antes de manipular cualquier equipo, considerar los riesgos que entraña la corriente eléctrica y familiarizarse con los procedimientos estándar de prevención de accidentes.
- Varning! Denna varningssymbol signalerar fara. Du befinner dig i en situation som kan leda till personskada. Innan du utför arbete på någon utrustning måste du vara medveten om farorna med elkretsar och känna till vanligt förfarande för att förebygga skador.

Installation

To install your switch or splitter on a wall, follow the steps in these sections:

- [“Verifying Package Contents” section on page 3](#)
- [“Attaching the Brackets” section on page 4](#)
- [“Attaching the RPS Connector Cover \(Switches Only\)” section on page 6](#)
- [“Mounting the Chassis on a Wall” section on page 6](#)

Verifying Package Contents

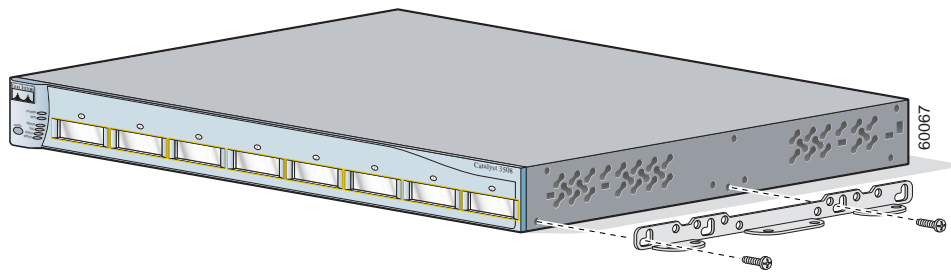
When you unpack the brackets, be sure that the package contains the items in the following list. If any items are missing, notify your authorized Cisco sales representative:

- Two wall-mount brackets
- Two number-6 Phillips pan-head screws
- Four number-8 Phillips truss-head screws
- Two number-4 Phillips pan-head screws (for attaching RPS cover)
- One RPS 300 connector cover
- One RPS 600 connector cover

Attaching the Brackets

Figure 1 shows the orientation used to attach a bracket to one side of the chassis. Follow the same steps to attach a bracket to the opposite side of the chassis.

Figure 1 Attaching Bracket to Chassis



The screws and bracket holes that you use depend on the chassis to which you are attaching the brackets. Table 1 lists the screws used to attach each bracket.

Table 1 Bracket-Mounting Screws

Chassis	Left Bracket (front)	Left Bracket (rear)	Right Bracket (front)	Right Bracket (rear)
<ul style="list-style-type: none"> Catalyst 2900 LRE XL switches Catalyst 3548 XL switch Cisco LRE 48 POTS Splitter 	Number-8 Phillips truss-head	Number-8 Phillips truss-head	Number-8 Phillips truss-head	Number-8 Phillips truss-head
<ul style="list-style-type: none"> Catalyst 3508 XL switch Catalyst 3524 XL switch Catalyst 3524-PWR XL switch 	Number-8 Phillips truss-head	Number-6 Phillips pan-head	Number-8 Phillips truss-head	Number-6 Phillips pan-head

Chassis

- Catalyst 2900 LRE XL switches
 - Cisco LRE 48 POTS Splitter
 - Catalyst 3508 XL switch
-
- Catalyst 3524 XL switch
 - Catalyst 3524 PWR XL switch
-

Catalyst 3548 XL switch

Attaching the RPS Connector Cover (Switches Only)

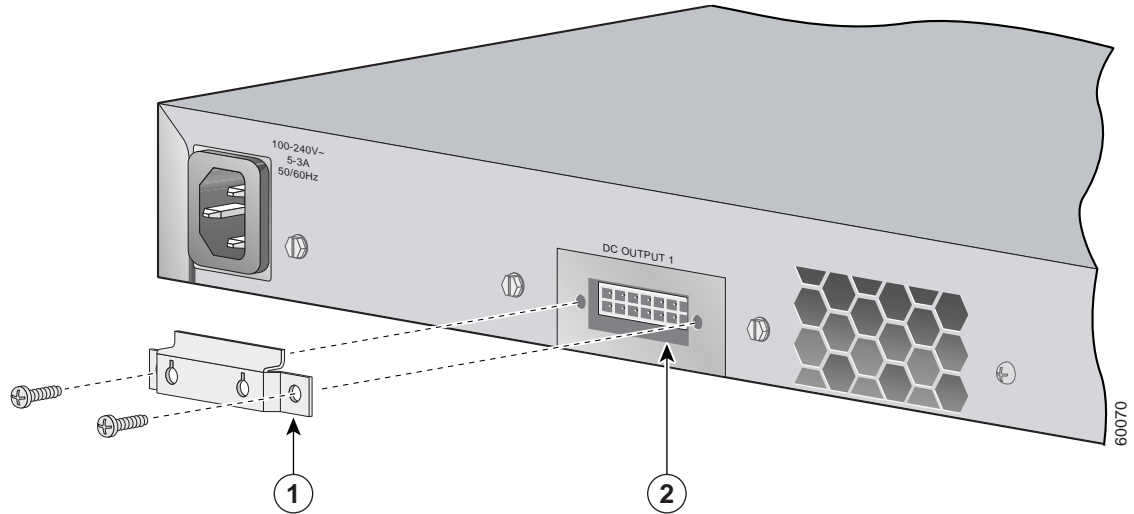
If you are not using a redundant power system (RPS) with your switch, use the two number-4 Phillips pan-head screws to install an RPS connector cover to the back of the switch. (See [Figure 3](#).)



Warning

If an RPS is not connected to the switch, install an RPS connector cover on the back of the switch.

Figure 3 Attaching the RPS Connector Cover



1	RPS connector cover
2	RPS connector

The accessory kit that is shipped with the brackets includes covers for both the Cisco RPS 300 and Cisco RPS 600. Refer to your hardware installation guide to determine which Cisco RPS model supports your switch.



Note

The Cisco LRE 48 POTS Splitter does not use an RPS.

Mounting the Chassis on a Wall

For the best support of the chassis and cables, make sure the chassis is attached securely to wall studs or to a firmly attached plywood mounting backboard. Use two screws (not included) to attach each side of the chassis to the wall.

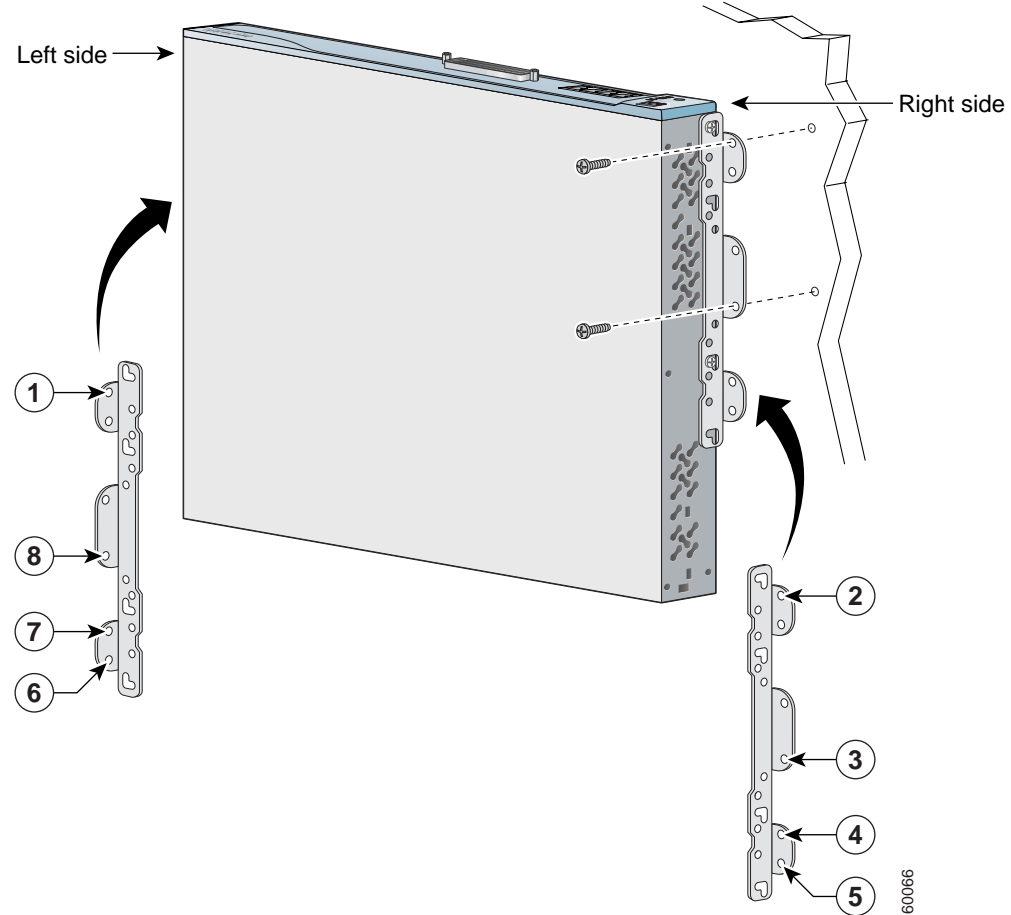


Warning

To comply with safety regulations, mount switches on a wall with the front panel facing up.

[Figure 4](#) shows the orientation and bracket holes used to mount the chassis on a wall.

Figure 4 Mounting the Chassis On a Wall



Chassis	Left-side bracket holes	Right-side bracket holes
<ul style="list-style-type: none"> Catalyst 2900 LRE XL switches Catalyst 3508 XL switch Catalyst 3524 XL switch Catalyst 3524 PWR XL switch Cisco LRE 48 POTS Splitter 	1, 8	2, 3
Catalyst 3548 XL switch	1, 7	2, 4

Where to Go Next

For additional installation steps, warnings, or cautions, refer to the installation guide that was shipped with your switch or splitter.

Related Publications

You can order printed copies of documents with a DOC-xxxxxx= number.

The following publications provide more information about the switches and the splitter:

- *Catalyst 2900 Series XL Hardware Installation Guide* (order number DOC-786416=)
- *Catalyst 3500 Series XL Hardware Installation Guide* (order number DOC-786456=)
- *Cisco LRE 48 POTS Splitter Installation Note* (order number DOC-7812250=)

Translated Warnings

This section repeats in multiple languages the warnings in this installation note.

Redundant Power Supply Connection Warning



Warning

If a redundant power system (RPS) is not connected to the switch, install an RPS connector cover on the back of the switch.

Waarschuwing

Als er geen redundant voedingssysteem (RPS) aan de schakelaar is gekoppeld, dient u een RPS-connectorkapje op de achterkant van de schakelaar te installeren.

Varoitus

Jos korvautuvaa tehojärjestelmää (redundant power system, RPS) ei ole liitetty kytkimeen, kiinnitä RPS-liittimen suojus kytkimen takapuolelle.

Attention

Si un système d'alimentation électrique redondant (RPS) n'est pas connecté au commutateur, installez un cache de connecteur RPS à l'arrière du commutateur.

Warnung

Wenn keine redundante Stromversorgung (RSV) an den Schalter angeschlossen ist, eine RSV-Steckerabdeckung an der Rückseite des Schalters anbringen.

Avvertenza

Se un sistema RPS (Redundant Power System) di alimentazione ridondante non è collegato al dispositivo switch, installare un copri-connettore RPS sul retro del switch.

Advarsel

Dersom et redundant strømsystem (Redundant Power System -RPS) ikke er koblet til bryteren, skal det installeres et RPS-koblingsdeksel på baksiden av bryteren.

Aviso

Se um sistema de alimentação redundante (RPS) não estiver conectado a um switch, instale uma capa de conector RPS na parte de trás do switch.

- ¡Advertencia! Si no se conecta un sistema de potencia redundante (RPS) al interruptor, instale una cubierta de conector RPS en la parte posterior del interruptor.
- Varning! Om ett redundant strömförsörjningssystem (redundant power system, RPS) inte finns anslutet till omkopplaren skall ett RPS-kontaktkydd installeras på baksidan av omkopplaren.
-

Switch Installation Warning



- Warning** To comply with safety regulations, mount switches on a wall with the front panel facing up.
- Waarschuwing** Om te voldoen aan de veiligheidsvoorschriften dient u de schakelaars op een muur te monteren met het voorpaneel omhoog.
- Varoitus** Turvallisuusmääräykset edellyttävät, että kytkimet kiinnitetään seinään etupaneeli ylöspäin.
- Attention** Pour satisfaire aux dispositions de sécurité, installez les commutateurs muraux avec le panneau frontal vers le haut.
- Warnung** Zur Einhaltung der Sicherheitsvorschriften die Schalter so an einer Wand montieren, dass die Frontplatte nach oben zeigt.
- Avvertenza** In conformità ai regolamenti di sicurezza, installare i dispositivi switch a muro con il pannello frontale rivolto in su.
- Advarsel** For å etterkomme sikkerhetsreglene skal brytere monteres på en vegg med frontpanelet vendt opp.
- Aviso** Para cumprir com os regulamentos de segurança, faça a montagem de switches em uma parede com o painel frontal virado para cima.
- ¡Advertencia! Para cumplir con las reglas de seguridad, instale los interruptores en una pared con el panel del frente hacia arriba.
- Varning! För att uppfylla säkerhetsföreskrifter skall omkopplarna monteras på en vägg med frampanelen riktad uppåt.
-

Obtaining Documentation

The following sections provide sources for obtaining documentation from Cisco Systems.

World Wide Web

You can access the most current Cisco documentation on the World Wide Web at the following sites:

- <http://www.cisco.com>
- <http://www-china.cisco.com>
- <http://www-europe.cisco.com>

Cisco Documentation CD-ROM

Cisco documentation and additional literature are available in a CD-ROM package, which ships with your product. The Cisco Documentation CD-ROM is updated monthly and may be more current than printed documentation. The CD-ROM package is available as a single unit or as an annual subscription.

Ordering Documentation

Cisco documentation is available in the following ways:

- Registered Cisco Direct Customers can order Cisco Product documentation from the Networking Products MarketPlace:
http://www.cisco.com/cgi-bin/order/order_root.pl
- Registered Cisco.com users can order the Documentation CD-ROM through the online Subscription Store:
<http://www.cisco.com/go/subscription>
- Nonregistered Cisco.com users can order documentation through a local account representative by calling Cisco corporate headquarters (California, USA) at 408 526-7208 or, in North America, by calling 800 553-NETS(6387).

Documentation Feedback

If you are reading Cisco product documentation on the World Wide Web, you can submit technical comments electronically. Click **Feedback** in the toolbar and select **Documentation**. After you complete the form, click **Submit** to send it to Cisco.

You can e-mail your comments to bug-doc@cisco.com.

To submit your comments by mail, for your convenience many documents contain a response card behind the front cover. Otherwise, you can mail your comments to the following address:

Cisco Systems, Inc.
Document Resource Connection
170 West Tasman Drive
San Jose, CA 95134-9883

We appreciate your comments.

Obtaining Technical Assistance

Cisco provides Cisco.com as a starting point for all technical assistance. Customers and partners can obtain documentation, troubleshooting tips, and sample configurations from online tools. For Cisco.com registered users, additional troubleshooting tools are available from the TAC website.

Cisco.com

Cisco.com is the foundation of a suite of interactive, networked services that provides immediate, open access to Cisco information and resources at anytime, from anywhere in the world. This highly integrated Internet application is a powerful, easy-to-use tool for doing business with Cisco.

Cisco.com provides a broad range of features and services to help customers and partners streamline business processes and improve productivity. Through Cisco.com, you can find information about Cisco and our networking solutions, services, and programs. In addition, you can resolve technical issues with online technical support, download and test software packages, and order Cisco learning materials and merchandise. Valuable online skill assessment, training, and certification programs are also available.

Customers and partners can self-register on Cisco.com to obtain additional personalized information and services. Registered users can order products, check on the status of an order, access technical support, and view benefits specific to their relationships with Cisco.

To access Cisco.com, go to the following website:

<http://www.cisco.com>

Technical Assistance Center

The Cisco TAC website is available to all customers who need technical assistance with a Cisco product or technology that is under warranty or covered by a maintenance contract.

Contacting TAC by Using the Cisco TAC Website

If you have a priority level 3 (P3) or priority level 4 (P4) problem, contact TAC by going to the TAC website:

<http://www.cisco.com/tac>

P3 and P4 level problems are defined as follows:

- P3—Your network performance is degraded. Network functionality is noticeably impaired, but most business operations continue.
- P4—You need information or assistance on Cisco product capabilities, product installation, or basic product configuration.

In each of the above cases, use the Cisco TAC website to quickly find answers to your questions.

To register for Cisco.com, go to the following website:

<http://www.cisco.com/register/>

If you cannot resolve your technical issue by using the TAC online resources, Cisco.com registered users can open a case online by using the TAC Case Open tool at the following website:

<http://www.cisco.com/tac/caseopen>