

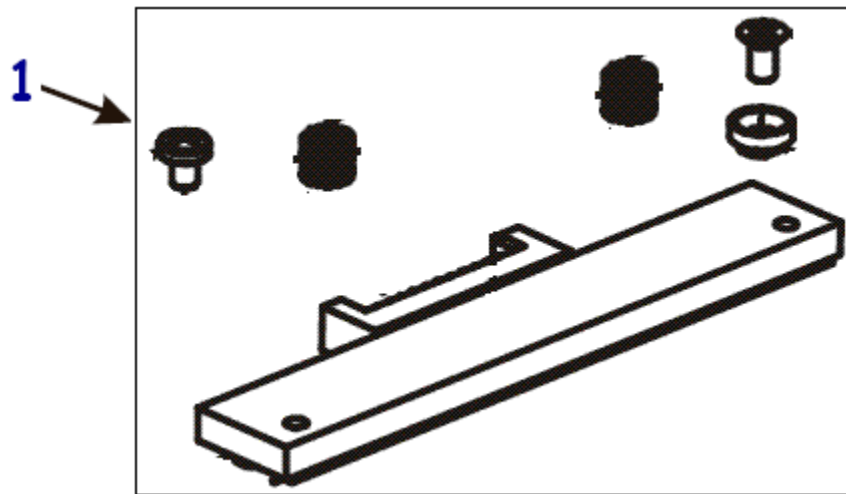


Zebra[®] TTP2000 Kiosk Printer

Spare Parts Catalog

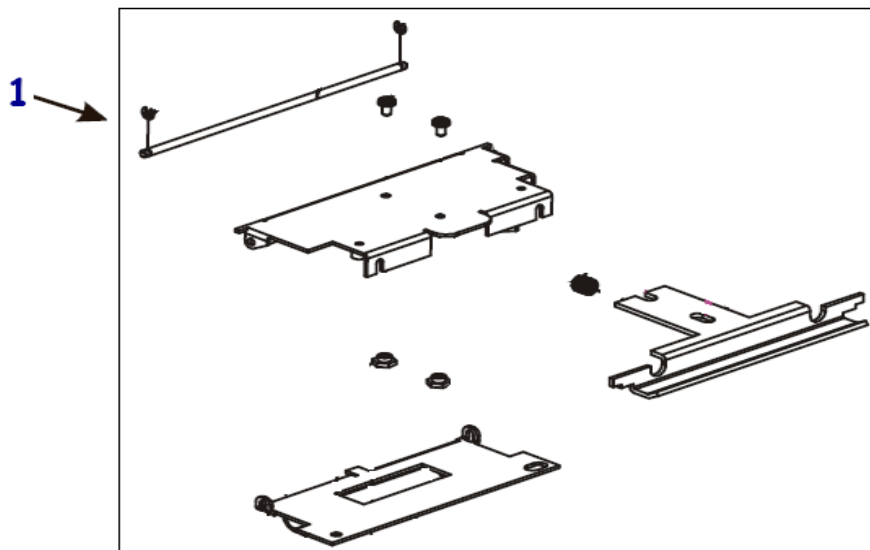
TTP2000 Parts Catalog

Printhead



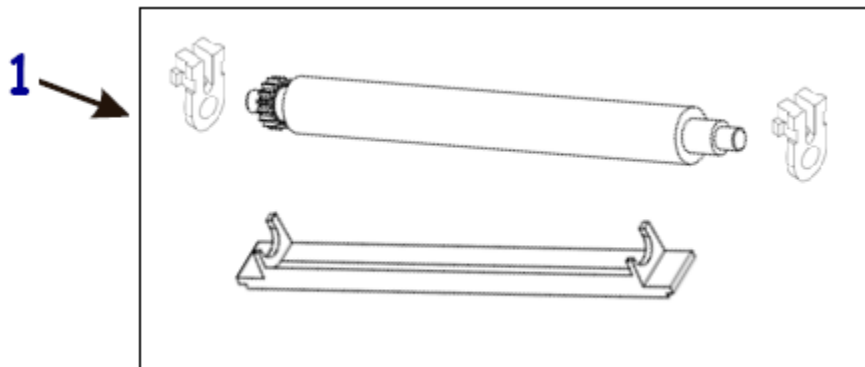
Item Number	Description	Part Number	Kit Quantity
1	Kit Printhead TTP2000	P1014112	1
Not Shown	Kit Cable for Printhead TTP2000 (Qty of 3)	P1014115	3

Cover for Printhead



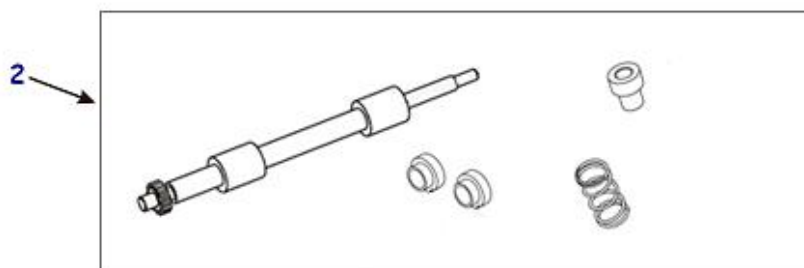
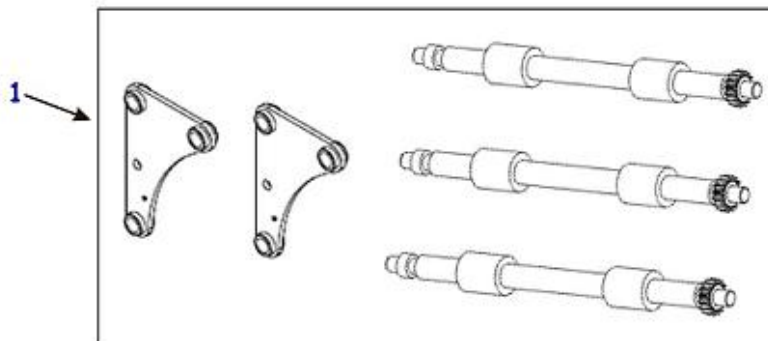
Item Number	Description	Part Number	Kit Quantity
1	Kit Printhead Cover Assembly TTP2000 (does not include printhead)	P1014143	1

Platen Roller



Item Number	Description	Part Number	Kit Quantity
1	Kit Platen Roller TTP2000 (Qty of 3)	P1014116	3

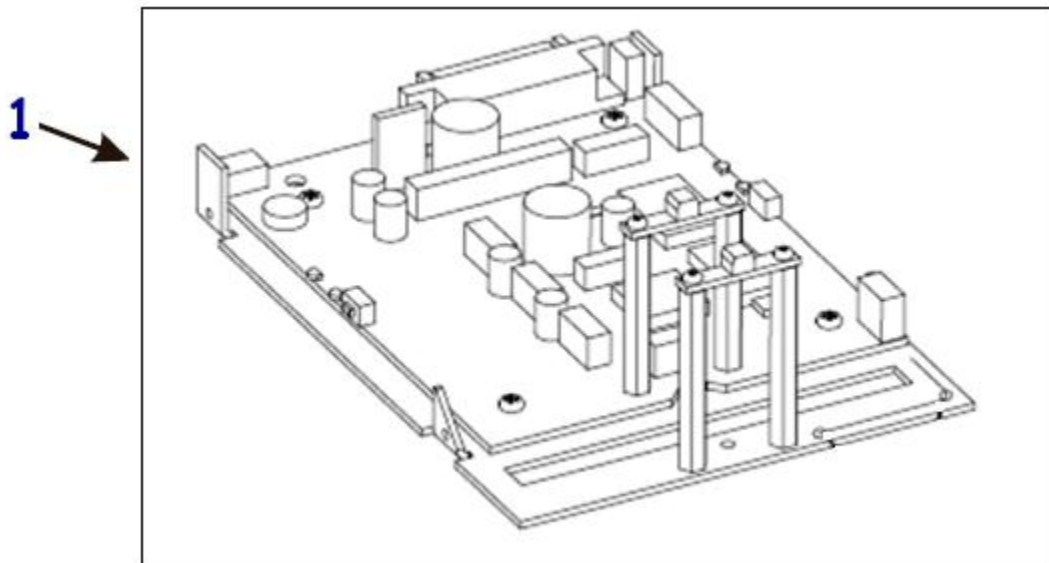
Feed Rollers



Item Number	Description	Part Number	Kit Quantity
1	Kit Feed Rollers TTP2000 (Qty of 3)	P1014118	3
2	Kit Feed Roller with Clutch TTP2000 & KR403	P1043693	1

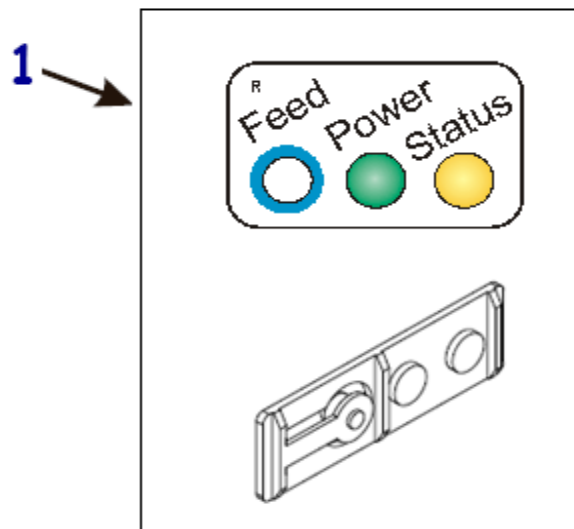
TTP2000 Parts Catalog

Main Logic Board



Item Number	Description	Part Number	Kit Quantity
1	Kit Main Logic Board TTP2010 (Serial)	P1014130	1
1	Kit Main Logic Board TTP2020 (Parallel)	P1014131	1
1	Kit Main Logic Board TTP2030 (USB)	P1014132	1

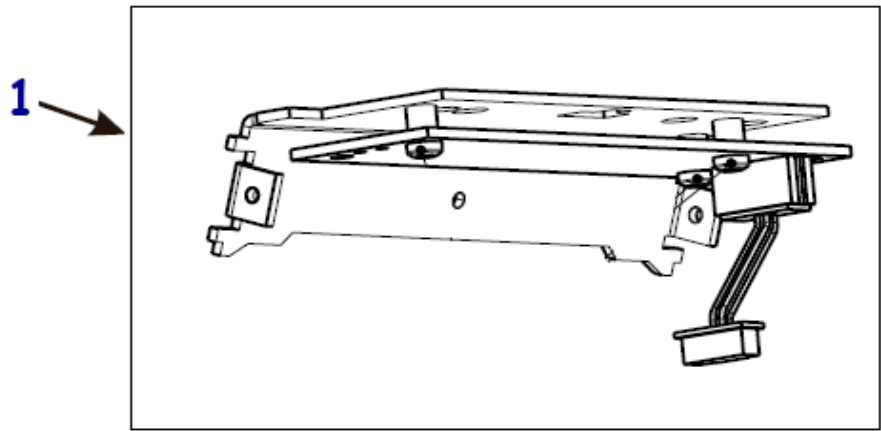
Control Panels



Item Number	Description	Part Number	Kit Quantity
1	Kit Control Panels TTP2000 & KR403 (Left & Right Side included)	P1014144	3

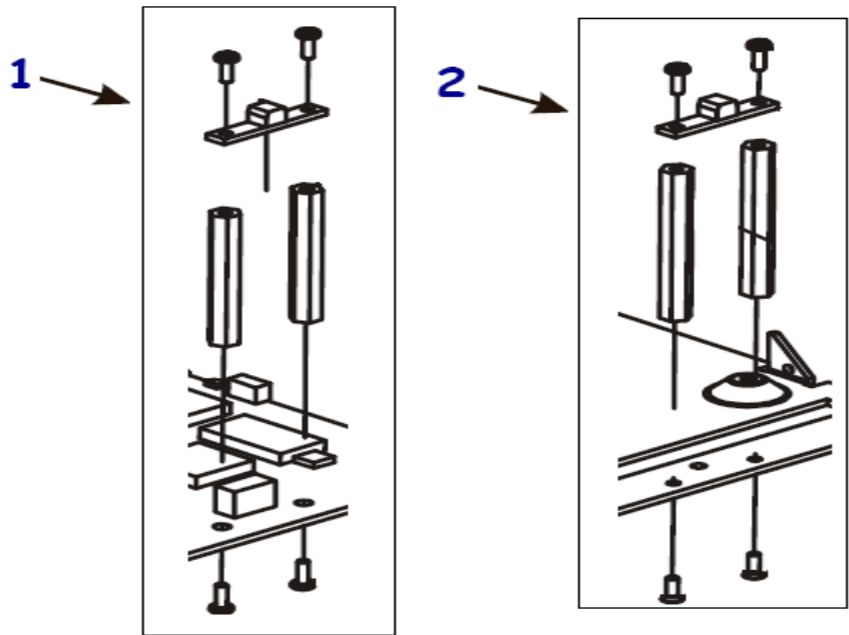
TTP2000 Parts Catalog

Media Sensor



Item Number	Description	Part Number	Kit Quantity
1	Kit Media Sensor Board TTP2000 (black mark sensor)	P1014139	1

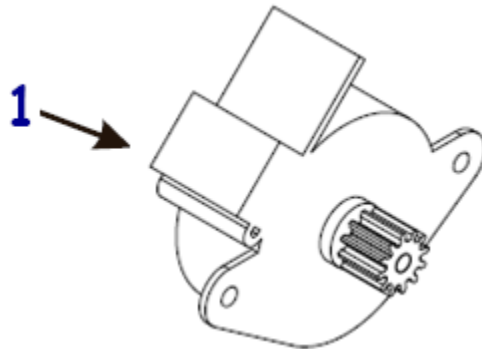
Presenter and Retract Sensors



Item Number	Description	Part Number	Kit Quantity
1	Kit Presenter Media Sensors TTP2000 (Qty of 2) Note: Use all parts included in kit to replace sensor and spacers simultaneously as a set	P1014140	2
2	Kit Retract Media Sensors TTP2000 (Qty of 2) Note: Use all parts included in kit to replace sensor and spacers simultaneously as a set	P1014141	2

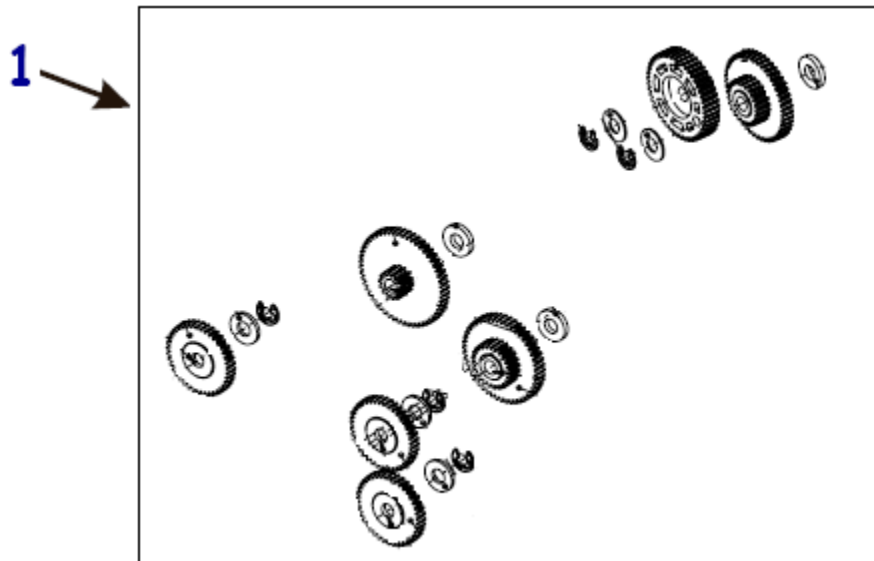
TTP2000 Parts Catalog

Drive Motors



Item Number	Description	Part Number	Kit Quantity
1	Kit Drive Motor TTP2000 (Qty of 3)	P1014134	3

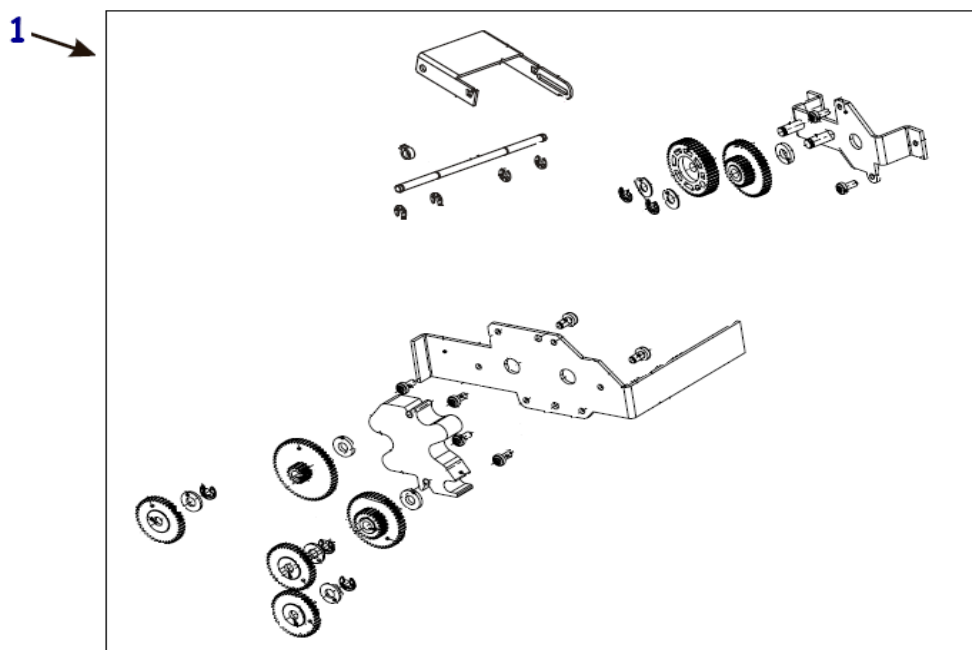
Drive Gears



Item Number	Description	Part Number	Kit Quantity
1	Kit Drive Gears for Drive System TTP2000 & KR403	P1014137	1

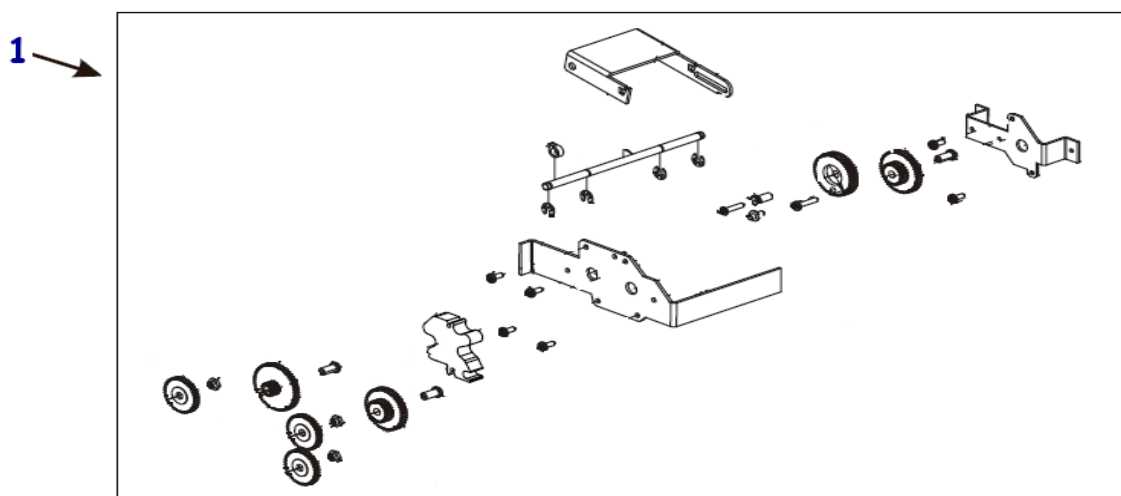
TTP2000 Parts Catalog

Drive System for printers with serial numbers greater than 90J09090013



Item Number	Description	Part Number	Kit Quantity
1	Kit Drive System Hardware for TTP2000 printers with serial numbers greater than 90J09090013	P1014136	1

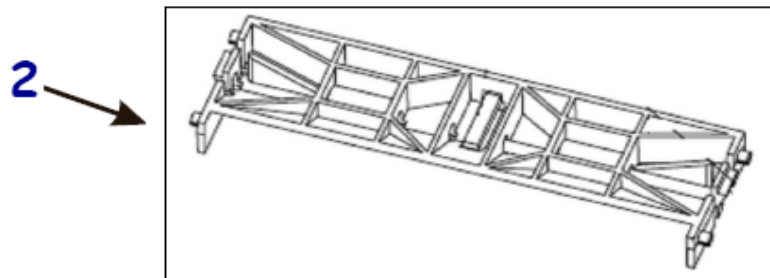
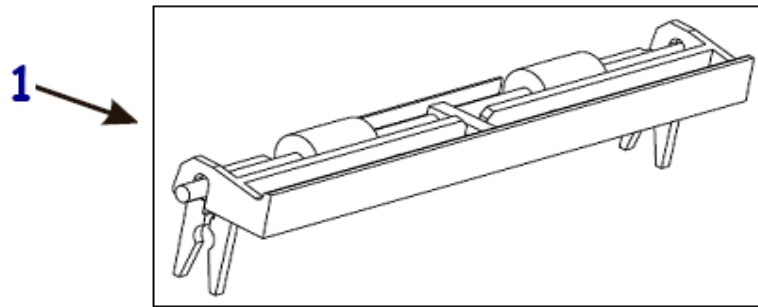
Drive System for printers with serial numbers less than 5-0953-22555



Item Number	Description	Part Number	Kit Quantity
1	Kit Drive System Hardware for TTP2000 printers with serial numbers less than 5-0953-22555	P1014136	1

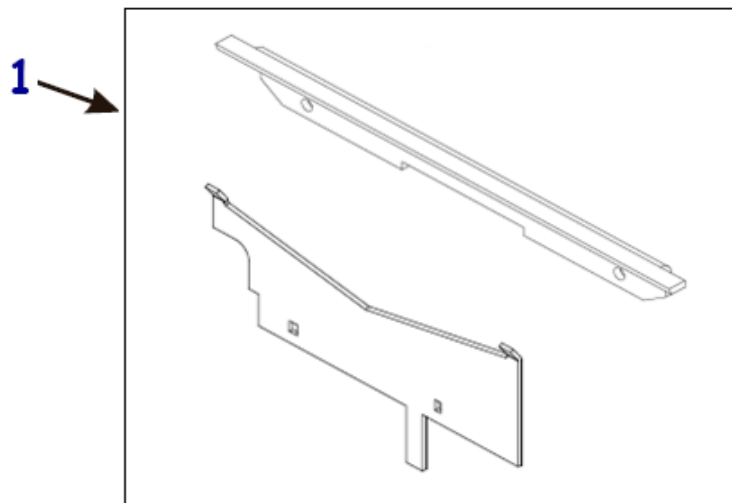
TTP2000 Parts Catalog

Presenter and Exit Roller Guide Assemblies



Item Number	Description	Part Number	Kit Quantity
1	Kit Exit Guide Assembly TTP2000 & KR403	P1046568	1
2	Kit Entry Guide Assembly TTP200 & KR403	P1046569	1

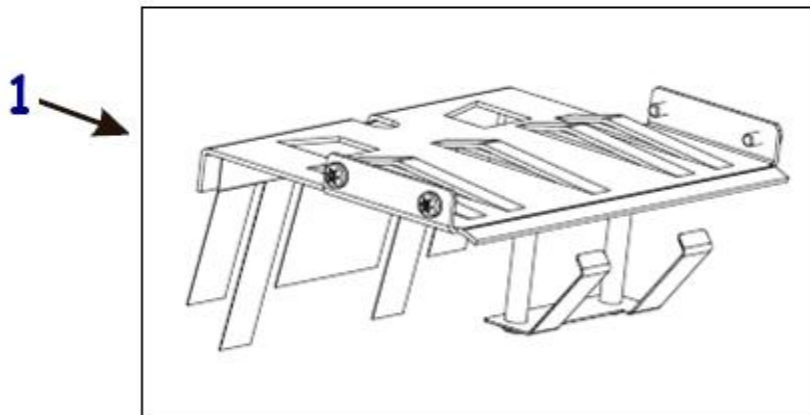
Cutter Blades



Item Number	Description	Part Number	Kit Quantity
1	Kit Cutter Blades TTP2000 & KR403	P1014133	1

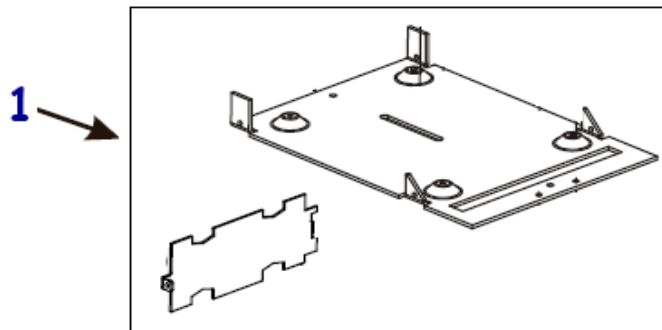
TTP2000 Parts Catalog

Cover Plate Assembly



Item Number	Description	Part Number	Kit Quantity
1	Kit Cover Plate Assembly TTP2000 & KR403	P1014138	1

Bottom Plate



Item Number	Description	Part Number	Kit Quantity
1	Kit Bottom Plate and Divider Plate TTP2000	P1014142	1

Miscellaneous Items

Item Number	Description	Part Number	Kit Quantity
Not Shown	Kit Packing Materials TTP2000 & KR403 (for shipping printer)	P1014148	1
Not Shown	Kit Springs for Printhead Release Latch TTP2000 & KR403 (Qty of 10)	P1014146	10
Not Shown	Kit Springs for Printhead TTP2000 (Qty of 6)	P1014145	6
Not Shown	Kit Screws M2.5x6 TTP2000 & KR403 (Qty of 30)	P1014147	30